

**Product Highlights:**

**Comm Settings:** Auto parity, baudrate, stop bits, and data bits.  
No dip switches required.

**Operating Temperature:** -20C to +85C

**Isolation method:** Triple Isolation - Port A, Port B, and Power  
Isolation voltage: 2500Vrms  
Input voltage: 9Vdc (min) to 36Vdc (max), or  
9Vac (min) to 24Vac (max)

**Speed:** Support up to 1 Mbps

**Installation:** Have flanges for convenient mounting

**Surge Protection (each MOV):**

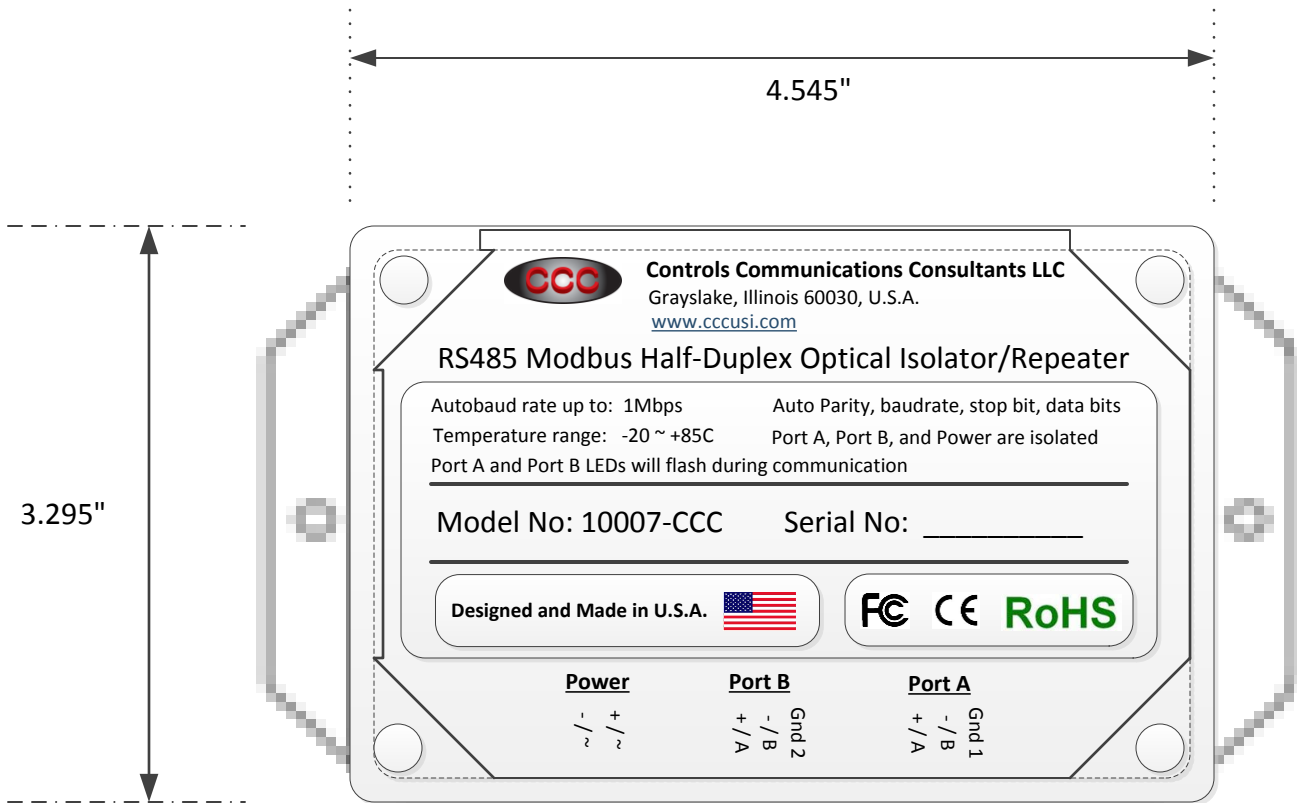
**Protection method:** Line-to-line  
Line-to-Ground

**Surge Current:** 250A


**Max. AC Volts:** 35Vac

**Max. DC Volts:** 45Vdc

**Energy:** 2.3J



**Fig 1 – Front View**

|   |   |  |  |  |  |
|---|---|--|--|--|--|
|  |   | <p><b>Controls Communications Consultants LLC</b></p>                  |  | <p><b>Address:</b><br/>1 N OPLAINE RD<br/>PO BOX 365<br/>Gurnee, IL 60031, USA</p> |  |
| <p><b>TITLE:</b></p>  |   | <p>RS485 Modbus Half-Duplex Optical Isolator/Repeater (Pro-Series)</p> |  | <p>sales@cccusi.com<br/>www.cccusi.com<br/>+1.312.7183368</p>                      |  |
| <p><b>SIZE:</b><br/>A</p>   | <p><b>DWG NO:</b><br/>DWG_10007_CCC</p> |  | <p><b>REV DATE:</b><br/>31-July-2014</p> |  |  |
| <p><b>SCALE:</b><br/>N/A</p>  | <p><b>REV:</b><br/>A</p>                | <p><b>SHEET:</b><br/>1 of 2</p>  |  | <p><b>PART NO:</b><br/>10007-CCC</p>   |  |



Note: Not to scale

Fig 2 – Actual Unit

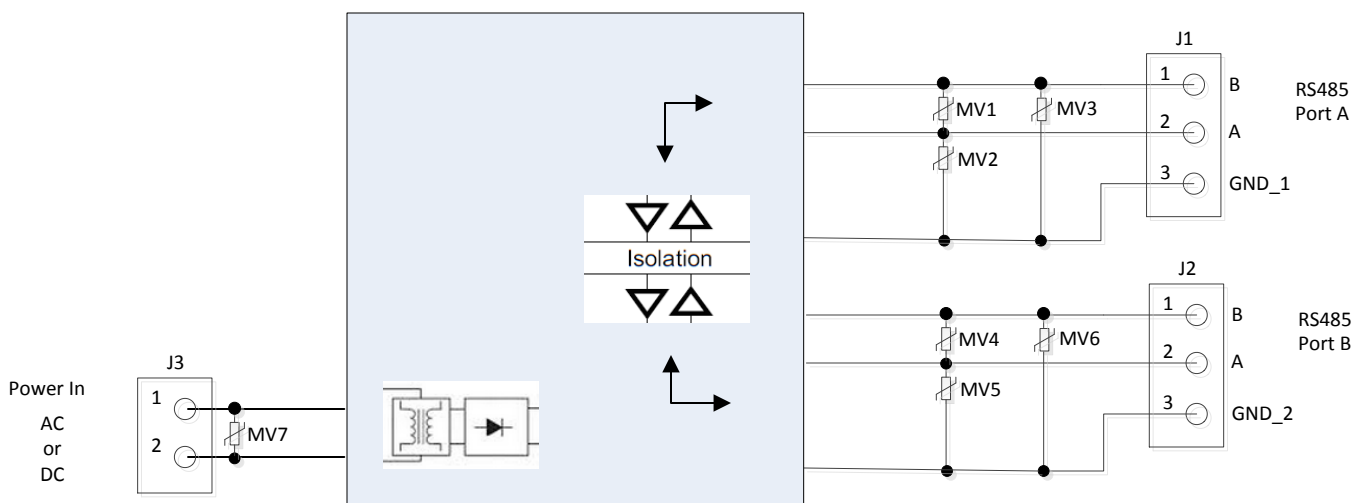



Fig 3 – Block Diagram

|   |                                 |   |                              |  |  |
|---|---------------------------------|---|------------------------------|--|--|
|  |                                 | <b>Controls Communications Consultants LLC</b>                            |                              | <b>Address:</b><br>1 N OPLAINE RD<br>PO BOX 365<br>Gurnee, IL 60031, USA |  |
| <b>TITLE:</b> RS485 Modbus Half-Duplex Optical Isolator/Repeater (Pro-Series)       |                                 | <b>sales@cccusi.com</b><br><b>www.cccusi.com</b><br><b>+1.312.7183368</b> |                              | <b>REV DATE:</b><br>31-July-2014   |  |
| <b>SIZE:</b><br>A   | <b>DWG NO:</b><br>DWG_10007_CCC |   | <b>PART NO:</b><br>10007-CCC |  |  |
| <b>SCALE:</b><br>N/A  | <b>REV:</b><br>A                | <b>SHEET:</b><br>2 of 2   |                              |  |  |