

Fig 1: MX60 Conversion Harness (main board)

Components are certified with:

Made in U.S.A.

RoHS



**Controls Communications
Consultants LLC**

Address:

34400 N Tanageray Drive
Gurnee, IL 60031, USA

TITLE:

MX60 Conversion Kit (with transient protection)

sales@cccusi.com

www.cccusi.com

Mobile: +1.312.718.3368

SIZE:

A

DWG NO:

DWG_10091_CCC

REV DATE:

28-JULY-2015

SCALE:

N/A

REV:

B

SHEET:

1 of 2

PART NO:

10091-1-CCC

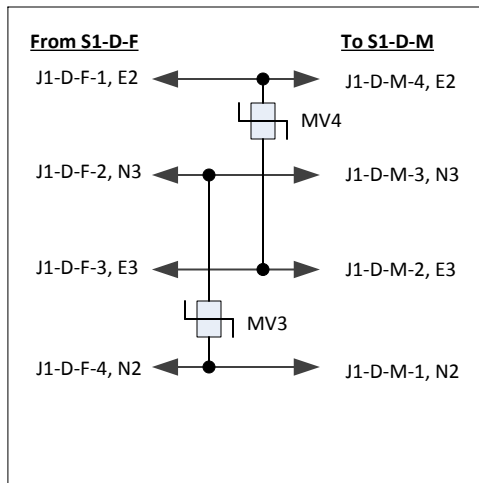
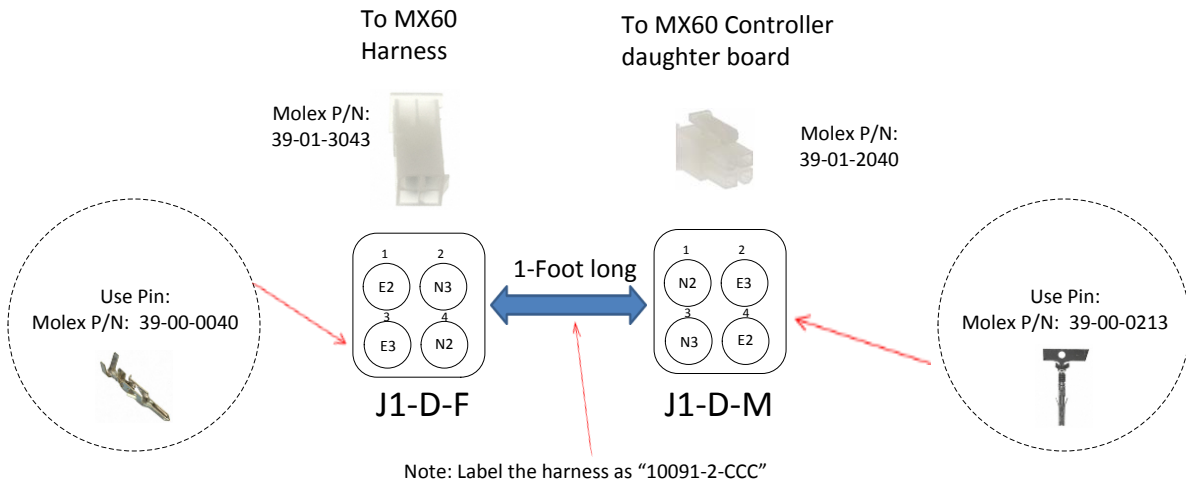


Fig 2: MX60 Conversion Harness (daughter board)

Components are certified with:



Made in U.S.A.



Controls Communications
Consultants LLC

Address:

34400 N Tanageray Drive
Gurnee, IL 60031, USA

sales@cccusi.com

www.cccusi.com

Mobile: +1.312.718.3368

REV DATE:

28-JULY-2015

PART NO:

10091-2-CCC

TITLE:

MX60 Conversion Kit (with transient protection)

SIZE:

A

DWG NO:

DWG_10091_CCC

SCALE:

N/A

REV:

B

SHEET:

2 of 2